

TEFLON™ - LINED

LARGE DIAMETER PIPE

ALTERNATIVE SOLUTION TO CORROSION PROTECTION

When seeking corrosion protection for your large diameter fittings and long straight section spools, rotationally lined ETFE or PFA are excellent alternatives to PTFE.

In the rotational lining process, a pipe or fitting is rotated in an oven, allowing gravity to spread a layer of molten Tefzel[®] ETFE or Teflon[™] PFA polymer on all internal surfaces. This creates a seamless lining that fully bonds to the metal substrate and is virtually free of any stresses.

RMB Products has the production line flexibility to handle large quantity projects in a variety of sizes. Both ETFE and PFA resin is inventoried on-site at RMB, which allows for a 2-3 week standard lead time to manufacture pipe liners over 14" NPS and straight section spools up to 20' long.

QUICK FACTS

- Capability to manufacture liners for pipe over 14" and straight section spools up to 20' long
- Seamless lining free of any stresses
- Mechanically bonded with no adhesives required or annular space between liner and steel
- Tailored solutions and custom sizes
- Complex geometries are easily lined without adding cost
- 2-3 week standard lead time with expediting options available
- Available in ANSI 150, 300, 600, 900, 1500, and 2500 flange ratings

MATERIAL DETAILS

Material	Maximum Temperature	Standard Liner Thickness	Maximum Liner Thickness	Full Vacuum Rated
ETFE	300°F	.188"	.250"	Yes
PFA	450°F	.188"	.200"	No

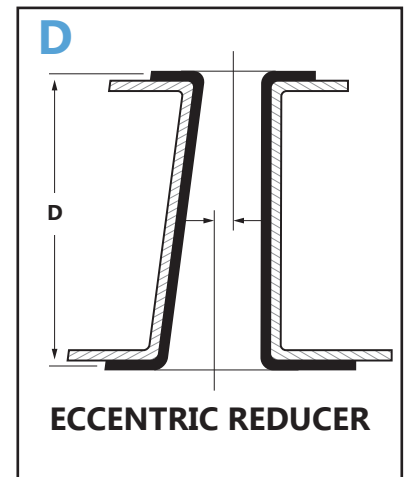
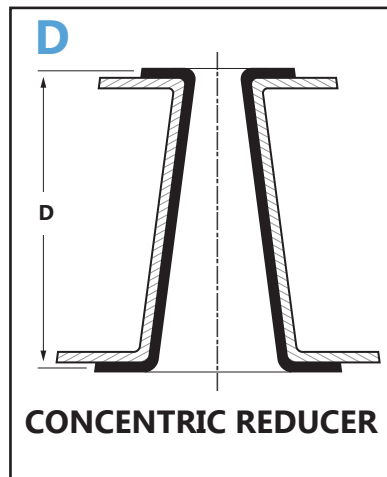
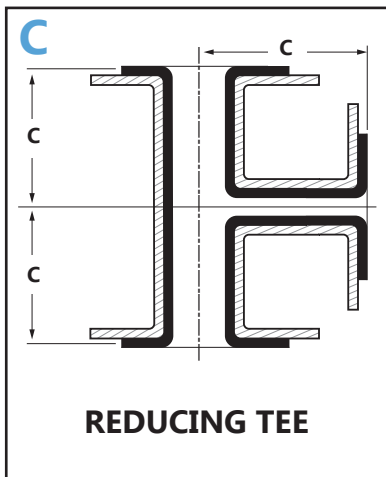
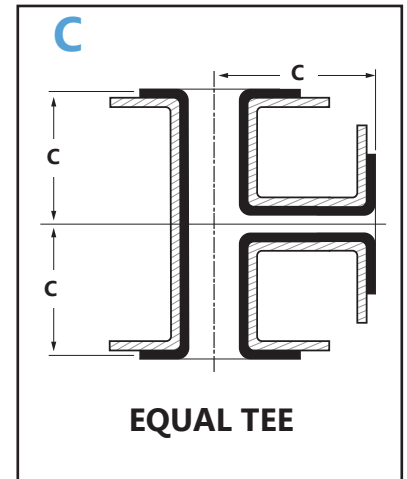
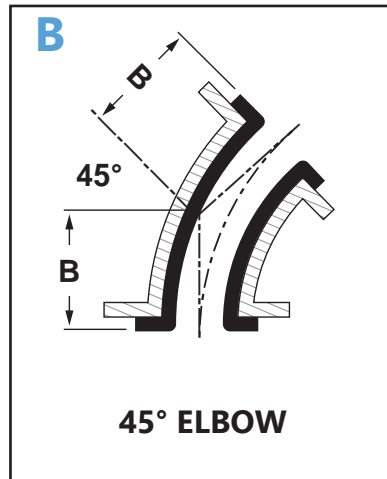
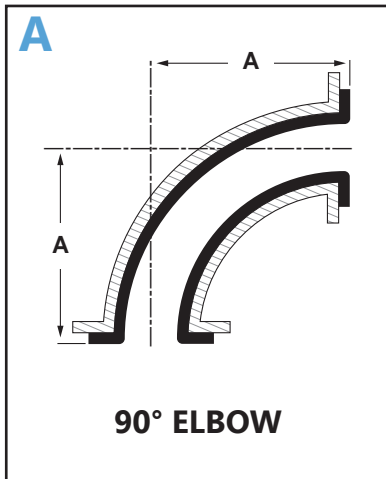
DIMENSIONS CHART (INCHES)

NPS	Elbow* (A)	45* (B)	Equal Tee* (C)	Reducing Tee* (C)	Concentric Reducer** (D)	Eccentric Reducer** (D)
14	21.375	9.125	11.375	11.375	13.375	13.375
16	24.375	10.375	12.375	12.375	14.375	14.375
18	27.375	11.625	13.875	13.875	15.375	15.375
20	30.375	12.875	15.375	15.375	20.375	20.375
24	36.375	15.375	17.375	17.375	20.375	20.375

* Center to Face

** Face to Face

TYPES OF FITTINGS



Custom sizes are available. Contact your sales rep for more information.



Since 1978, RMB Products has specialized in helping customers lower capital cost and operating expenses. RMB uses proprietary plastic resins and a rotational lining process to create corrosion-resistant equipment liners. Looking for more information or a quote? Call us at 719.382.9300.